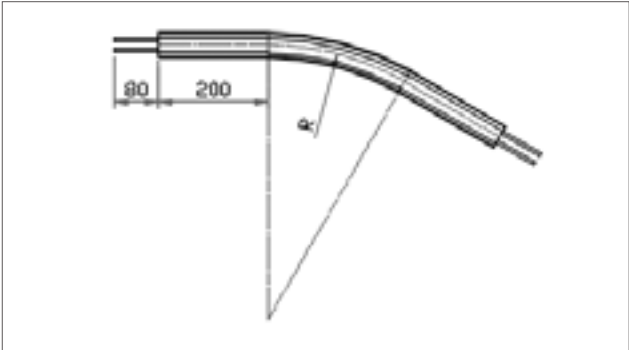
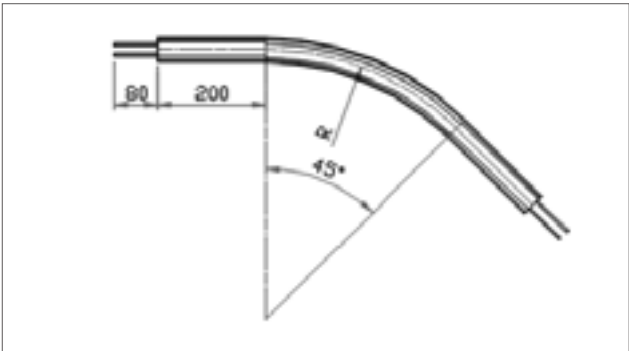


Horizontal bend

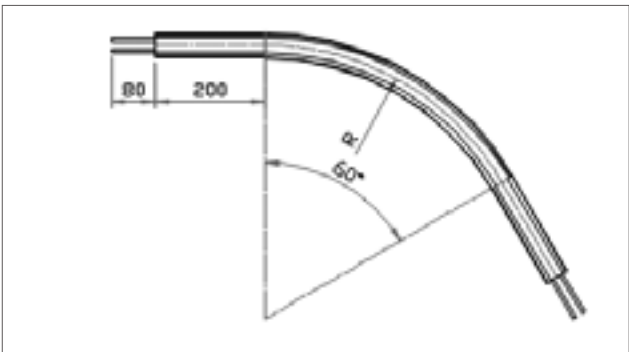
Reference	Material
HLBP 30R500	Aluminum
HLBP 30R700	
HLBP 30R1000	



Reference	Material
HLBP 45R500	Aluminum
HLBP 45R700	
HLBP 45R1000	



Reference	Material
HLBP 60R500	Aluminum
HLBP 60R700	
HLBP 60R1000	



Reference	Material
HLBP 90R500	Aluminum
HLBP 90R700	
HLBP 90R1000	

