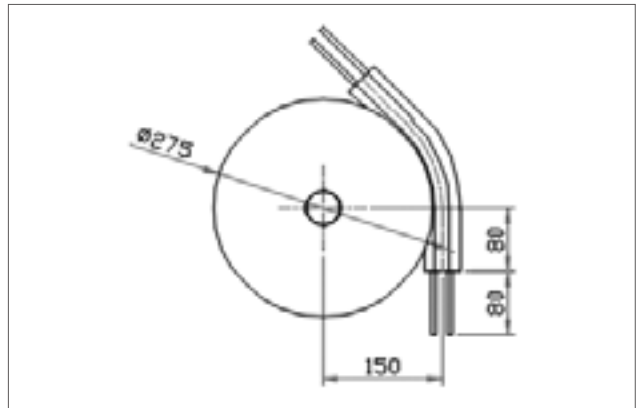
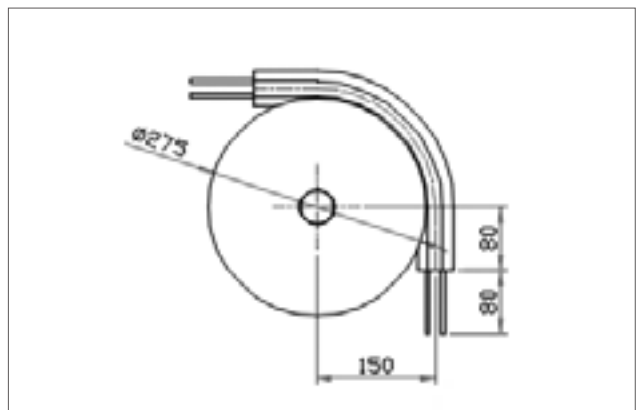


Wheel bend

Reference	Material
HLBH 45R150	Aluminium & P.E



Reference	Material
HLBH 90R150	Aluminium & P.E



Reference	Material
HLBH 180R150	Aluminium & P.E

