

End drive unit

Reference	Material	Motor Position
HMEBR	Aluminum & P.E	Right
HMEBL		Left

The technical drawing shows two views of the end drive unit. The top view is a side profile showing a vertical shaft with a diameter of $\text{Ø}25$. The total height of the unit is 140, and the height of the main housing is 86. The bottom view is a front view showing a housing with a width of 310 and a mounting flange on the left with a diameter of 80. The text 'HI FLEX' is printed on the front panel.

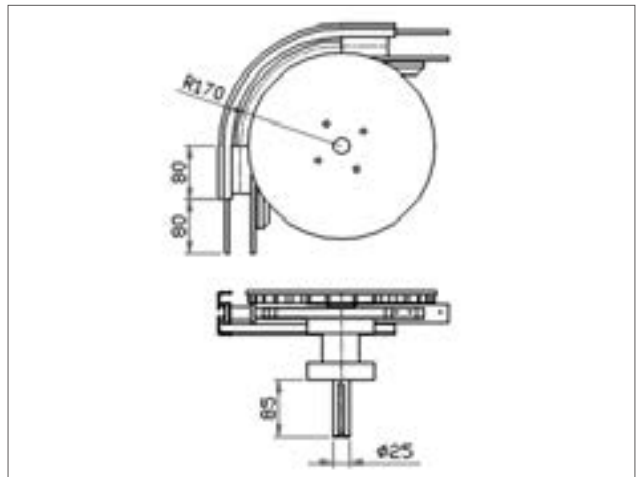
Intermediate drive unit

Reference	Material	Motor Position
HMERR	Aluminum & P.E	Right
HMERL		Left

The technical drawing shows two views of the intermediate drive unit. The top view is a side profile showing a vertical shaft with a diameter of $\text{Ø}25$. The total height of the unit is 140, and the height of the main housing is 86. The bottom view is a front view showing a housing with a total width of 474 and mounting flanges on both sides with a diameter of 80. The text 'HI FLEX' is printed on the front panel.

Horizontal bend drive unit

Reference	Material	Motor Position
HMEW 90R160	Aluminum & P.E	Bottom



Reference	Material	Motor Position
HMEW 180R160	Aluminum & P.E	Bottom

