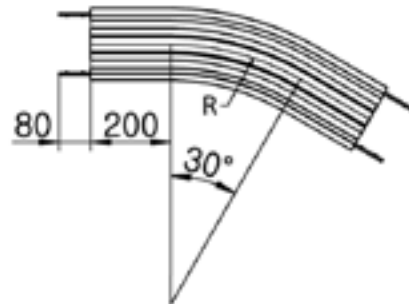
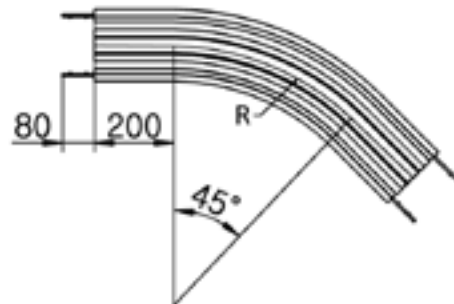


Horizontal bend

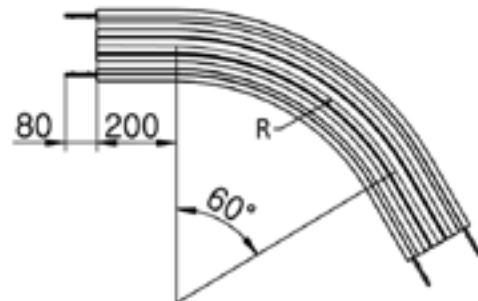
| Reference | Material |
|--------------|----------|
| HRBP 30R650 | Aluminum |
| HRBP 30R1000 | |



| Reference | Material |
|--------------|----------|
| HRBP 45R650 | Aluminum |
| HRBP 45R1000 | |



| Reference | Material |
|--------------|----------|
| HRBP 60R650 | Aluminum |
| HRBP 60R1000 | |



| Reference | Material |
|--------------|----------|
| HRBP 90R650 | Aluminum |
| HRBP 90R1000 | |

