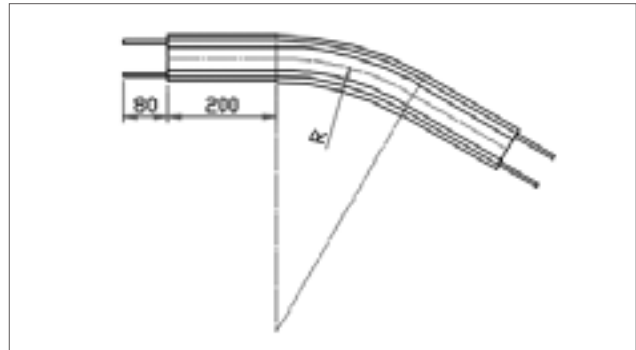
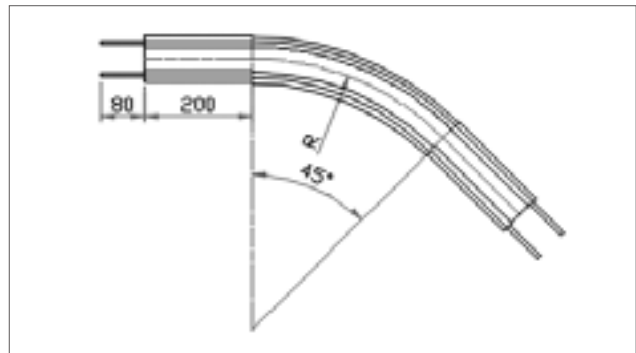


# Horizontal bend

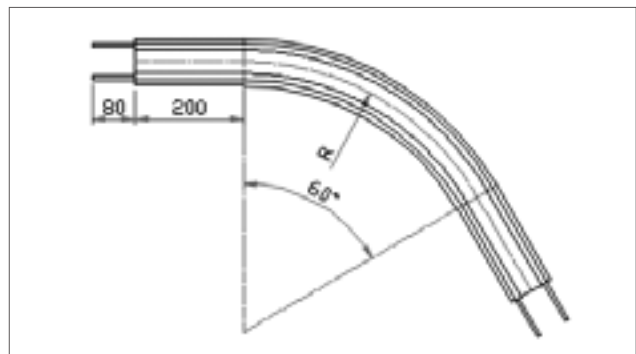
Reference	Material
HWBP 30R650	Aluminum
HWBP 30R1000	



Reference	Material
HWBP 45R650	Aluminum
HWBP 45R1000	



Reference	Material
HWBP 60R650	Aluminum
HWBP 60R1000	



Reference	Material
HWBP 90R650	Aluminum
HWBP 90R1000	

