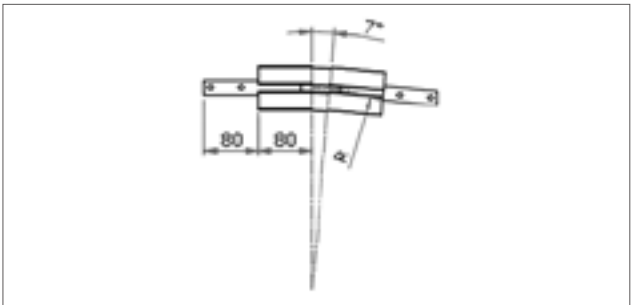
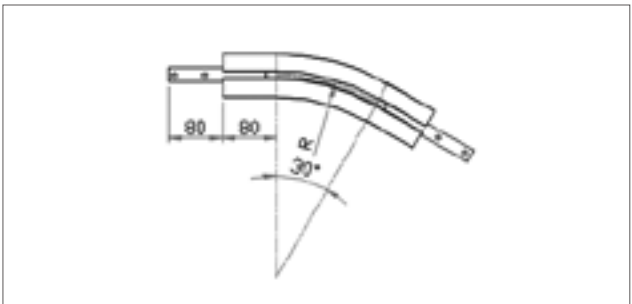


# Vertical bend

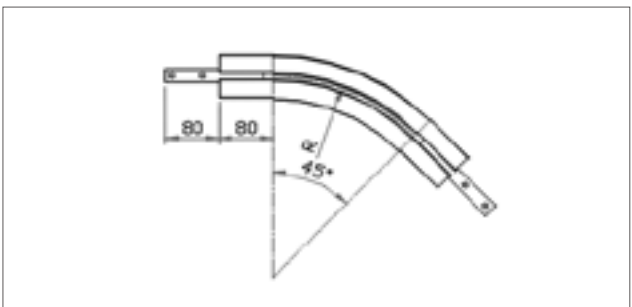
Reference	Material
HWBV 5R650	Aluminum
HWBV 7R650	



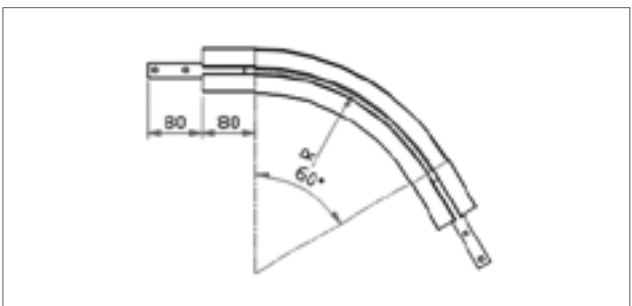
Reference	Material
HWBV 15R650	Aluminum
HWBV 30R650	



Reference	Material
HWBV 45R650	Aluminum
HWBV 45R1000	



Reference	Material
HWBV 60R650	Aluminum
HWBV 60R1000	



Reference	Material
HWBV 90R650	Aluminum
HWBV 90R1000	

